

## WARRANTY & CARE

### 2 Year Shelter Guarantee

**Please take time to read about the protection we offer you.**

All our shelters come with a guarantee designed to protect you as our valued customer. Flow Imports Ltd., the makers of ZEMPIRE® Camping Equipment shelters, will repair or replace this shelter, at their discretion, should it fail due to faulty materials or manufacture for a period of 2 years from the date of sale.

The Guarantee is subject to the following conditions:

1. The Guarantee only applies to an original purchaser who purchased this shelter from an approved retail outlet.
2. The Guarantee does not apply if the shelter has been used for anything other than reasonable personal camping use. Commercial use (e.g. rental) or continuous use as a residence are expressly excluded.
3. Damage due to normal wear and tear, accident, acts of God, negligence (other than by Flow Imports Ltd.), failure by the purchaser to ensure instructions for setting up and care are observed, deterioration due to abnormal exposure to ultraviolet light, insect or mildew attack, or any other cause reasonably beyond the control of Flow Imports Ltd. are not covered.
4. If redress is sought under the terms of this Guarantee, then the shelter must be returned by the purchaser to the outlet from where it was purchased within the Guarantee period, in a clean, dry state and with proof of purchase.
5. All transport costs and any other indirect costs are excluded from the Guarantee.
6. Flow Imports Ltd. reserves the right to make a reasonable charge for repairs which it determines are not within the scope of the Guarantee.
7. The Guarantee does not limit, modify or exclude any rights under any law if doing so would contravene that law or make any part of this Guarantee invalid. However, Flow Imports Ltd.:
  - a) excludes (to the extent permitted by applicable law) all conditions and warranties that might otherwise be implied; and
  - b) limits its liability for breach of any such condition or Guarantee that it cannot exclude together with its liability under the Guarantee, to repairing or replacing the goods or paying the cost of having the goods repaired or replaced (at Flow Imports' option).

This shelter has been made with meticulous care and attention to detail. Providing it's properly looked after and correctly stored, it will help you enjoy all that nature has to offer for years to come.

#### Care Instructions

1. Ensure guy ropes are out at all times during use.
2. Never pack your tent away wet. If you must take your tent down when wet, ensure that it is dried completely as soon as possible to prevent mildew forming.
3. If mildew does form on your tent, wash off with warm water and a soft brush to prevent further growth, do not use soap or detergents.
4. Do not use an open flame inside your tent. The fabric has been treated with a fire retardant but is in no way fire-proof.
5. Clean all pegs and poles before storing.
6. This tent is not designed to withstand storm conditions. During strong winds, it is recommended that the tent be taken down.
7. Do not leave your tent pitched unnecessarily for extended periods of time. UV light damages the fly and will shorten the life of your tent.

**Get out more – you owe it to yourself!**

**Zempire®** **PRO LINK XL**  
CAMPING EQUIPMENT AEROBASE PRO LINK

## PITCHING INSTRUCTIONS



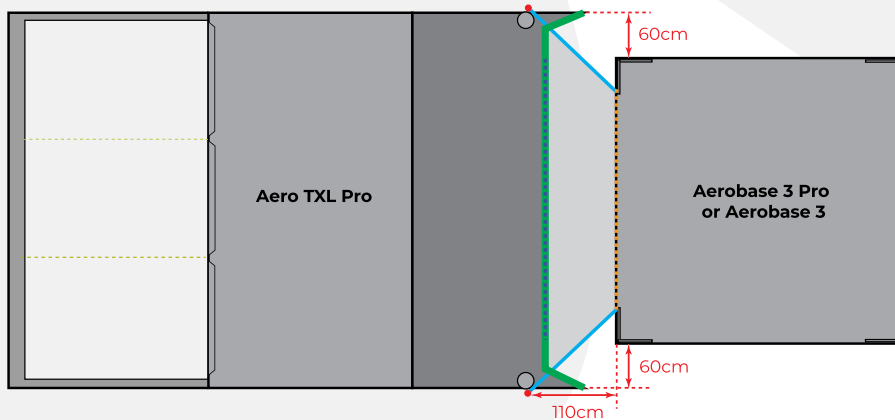
**Zempire®**  
CAMPING EQUIPMENT

## PITCHING INSTRUCTIONS

This Pro-Link provides a weather tight connection between an Aero TXL Pro and an Aerobase 3 or Aerobase 3 Pro Shelter.

1. First pitch your tent with the front awning door rolled up and secured.
2. Zip on the **Pro Link** to the front awning of your tent.
3. Pitch your **Aerobase 3** in front of your tent awning and in line with the **Pro Link** but do not at this stage place any of the pegs in the ground.
4. Zip the remaining side of the **Pro Link** to the entrance of the **Aerobase 3**.
5. Move the Shelter so that the **Pro Link** is pulled trim/tight and aligned straight with the awning of your tent. Ensure the walls of the shelter sit square.
6. Once correctly aligned, peg down the **Aerobase 3** into position with the corners forming a square. (See diagram)
7. Because the **Aero TXL Pro** is wider than the shelter, the **Pro Link** will anchor inside the front awning area of the tent, with the peg point set just outside the front frame pole. (see image)

**NOTE:** While the Pro Link is optimized to be used with the front awning door secured out of the way, it is possible to zip the awning door closed around the Pro Link for additional privacy and weather protection in the awning area.



- Pro Link Peg Point
- Front of Aero TXL Pro
- - - Zip Shelter
- - - Zip Aero TXL Pro
- Pro Link
- Inflatable Tube

### UV Degradation

Tent fabrics can be weakened by prolonged exposure to sunlight. Under normal holiday use, your ZEMPIRE® tent will give you many years of camping enjoyment. However, extended use in strong sunlight will cause degradation. UV degradation is not covered under warranty. The warranty does not cover permanent sites, displays or commercial use.

### Condensation

It is important that lower vents are opened at all times to reduce the risk of condensation. During humid or damp conditions, it is recommended that the waterproof door covers are opened to expose the mesh layer, enabling additional airflow throughout your tent.

Do not use foam swabs or non-bonded mats directly on the tent floor. This will cause condensation between the mat and floor and if not dried out, can lead to mildew forming.



For a detailed description of all the features and specifications of this product please visit our website.

[WWW.ZEMPIRECAMPING.COM](http://WWW.ZEMPIRECAMPING.COM)

Designed and tested in New Zealand. Made with care in China.